

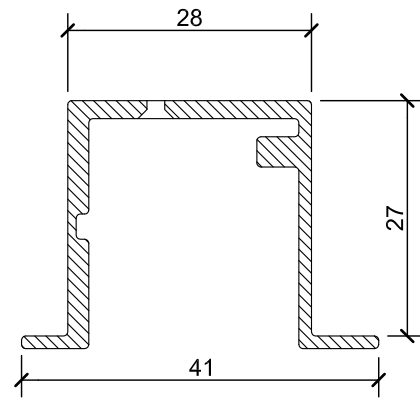
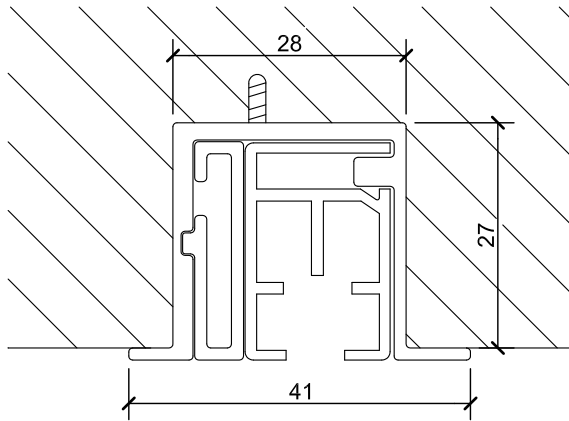
Series 82

Turbo Powered by Somfy



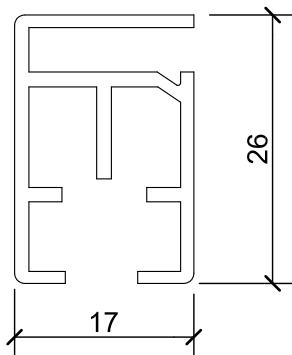
Recessed in Series 71

use 6# guage countersunk screws

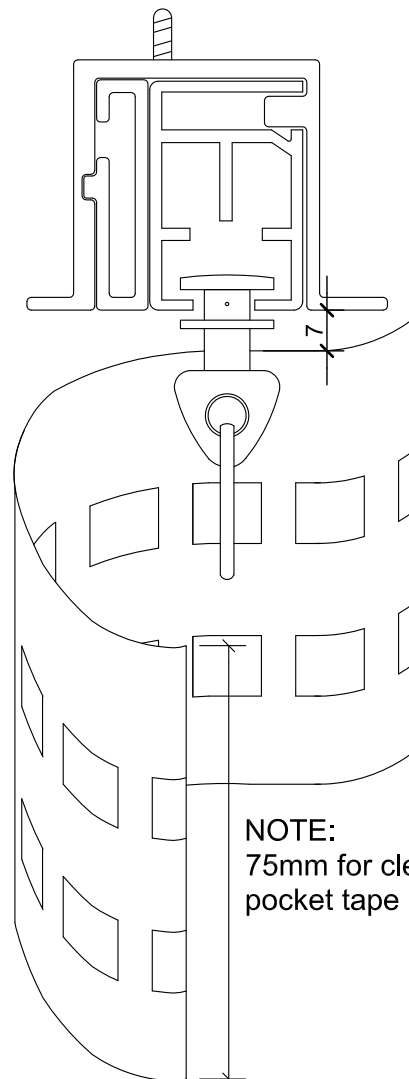
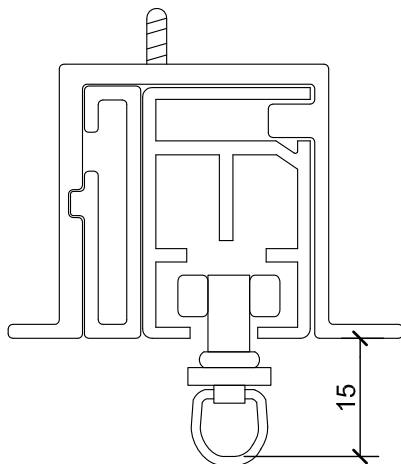


Recessed profile

Series 82 Turbo track
POWERED BY SOMFY
Recessed in Series 71



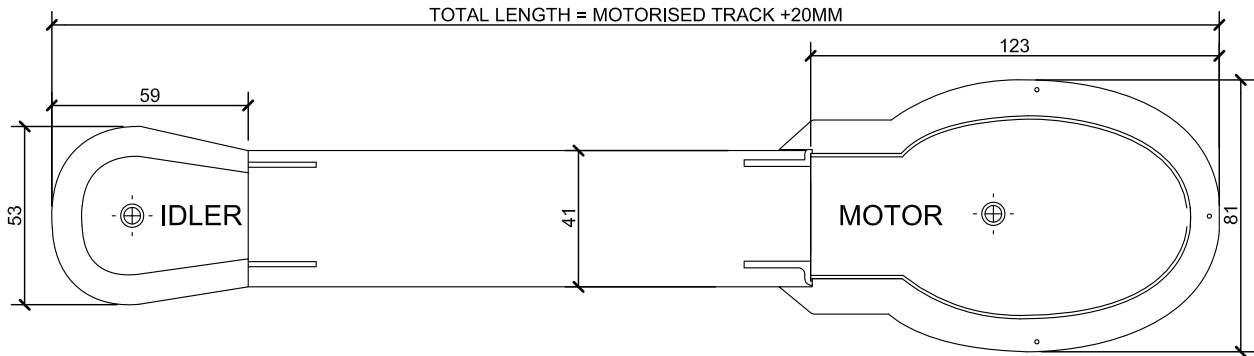
Turbo track profile



NOTE:
75mm for clear
pocket tape

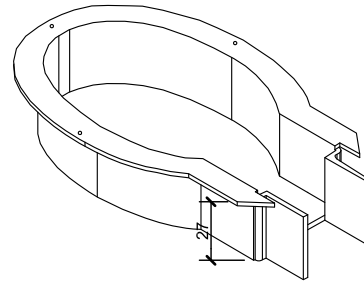
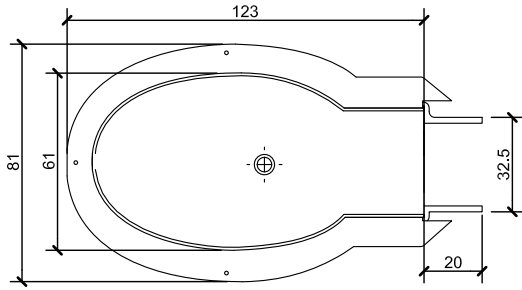


Recessed in Series 71

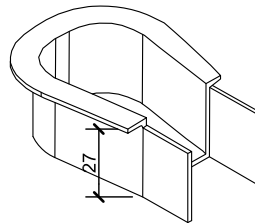
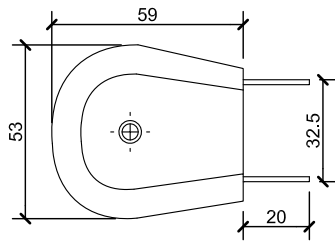


recess housing for small end

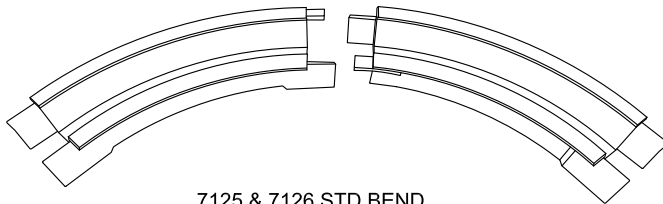
recess housing for drive unit



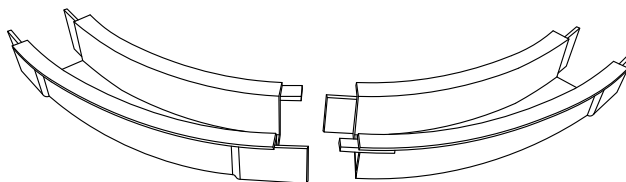
7175 DRIVE HOUSING



7174 IDLER END HOUSING



7125 & 7126 STD BEND



7123 & 7124 REVERSE BEND

Series 82

Turbo Bracket Dimensions



Recessed in Series 71

