

Series 84 Motorised Tracking

SERIES 84 PELMET FITTING DIMENSIONS

Overall Track Length

To allow for the installation of motors onto the track, the overall length of the track must be shorter than the wall to wall measurements, and inside pelmets, by 25mm.

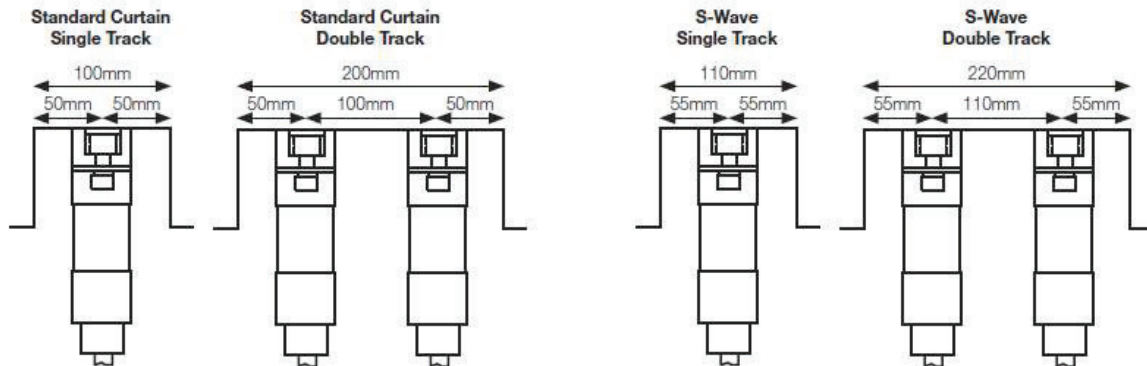


Pelmet Measurements

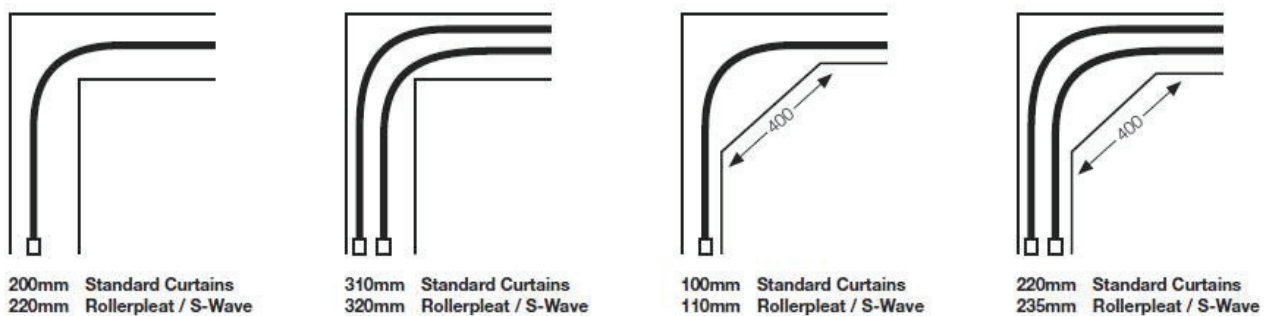
The pelmet measurements below are a suggested **minimum** size for a standard weight curtain. Heavier curtains will require a larger pelmet.

Note: All measurements are given for a 300mm radius bend. Large bends will require wider pelmets.

Straight Tracks

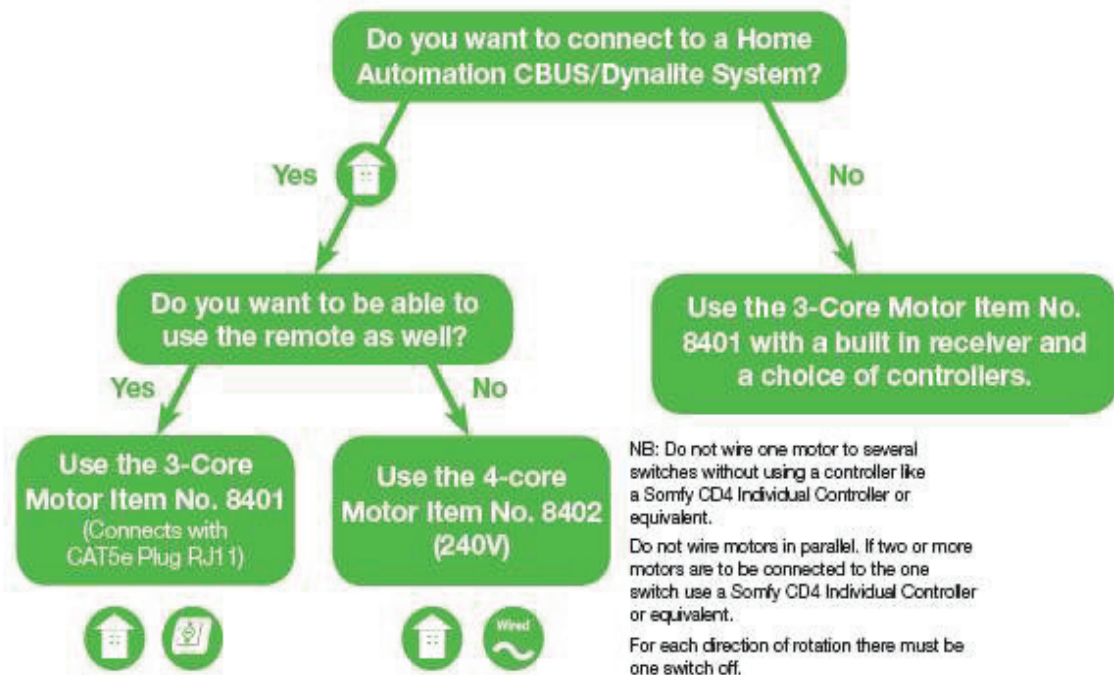


90° Bends



Series 84 Motor Choice & Wiring

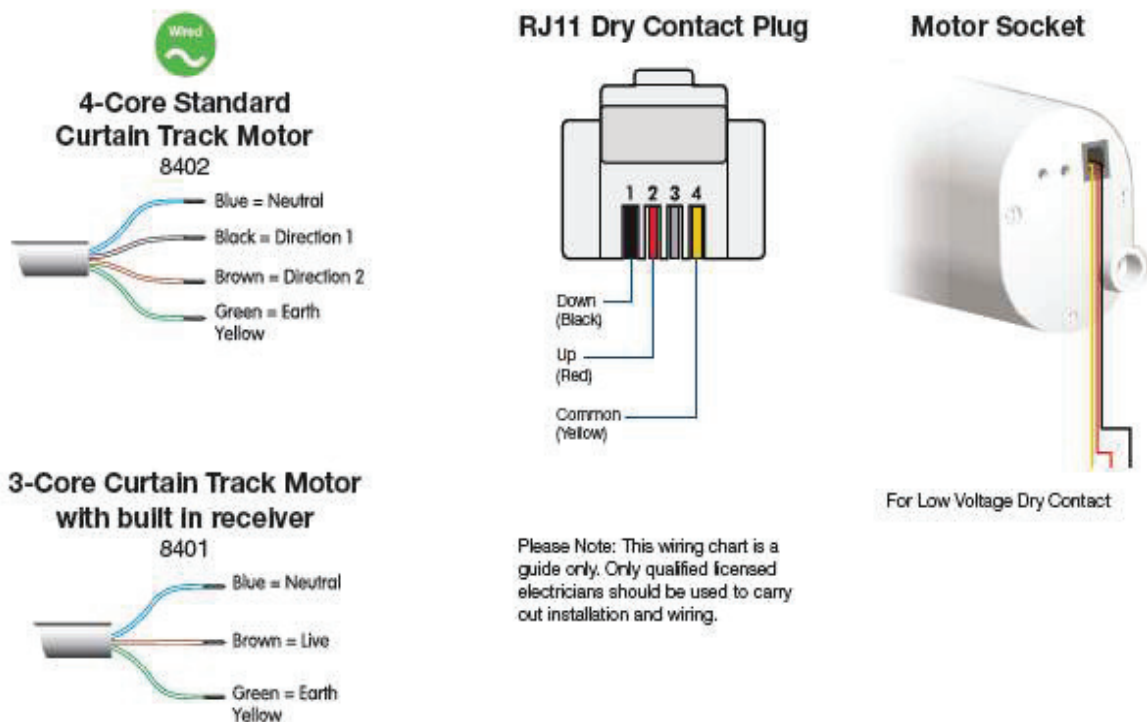
MOTOR CHOICE & WIRING



NB: Do not wire one motor to several switches without using a controller like a Somfy CD4 Individual Controller or equivalent.

Do not wire motors in parallel. If two or more motors are to be connected to the one switch use a Somfy CD4 Individual Controller or equivalent.

For each direction of rotation there must be one switch off.

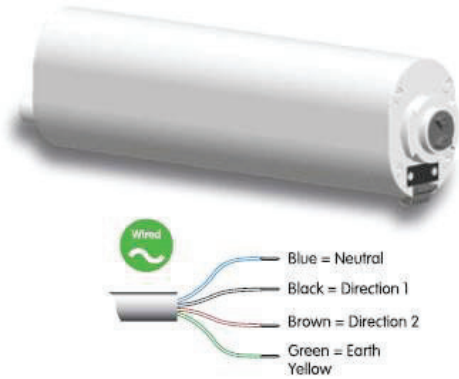


Please Note: This wiring chart is a guide only. Only qualified licensed electricians should be used to carry out installation and wiring.

Series 84 Motorised Tracking

4-Core Curtain Motor

8402 - 100kg Curtain Motor 4-Core

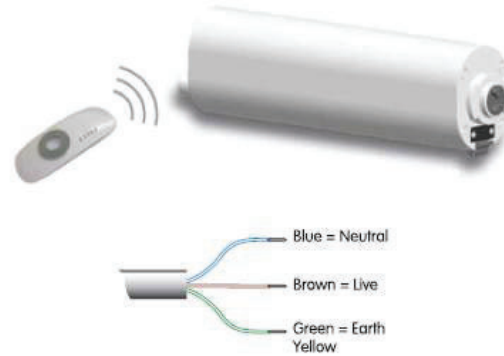


4-Core Motor

These motors can be used with building automation systems such as C-BUS and Dynalite etc.

3-Core

8401 - 100kg Curtain Motor with built in receiver



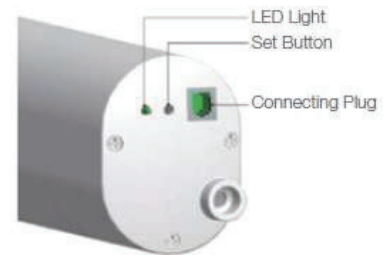
3-Core Motor

The built in receiver means these motors can be used with a range of controllers

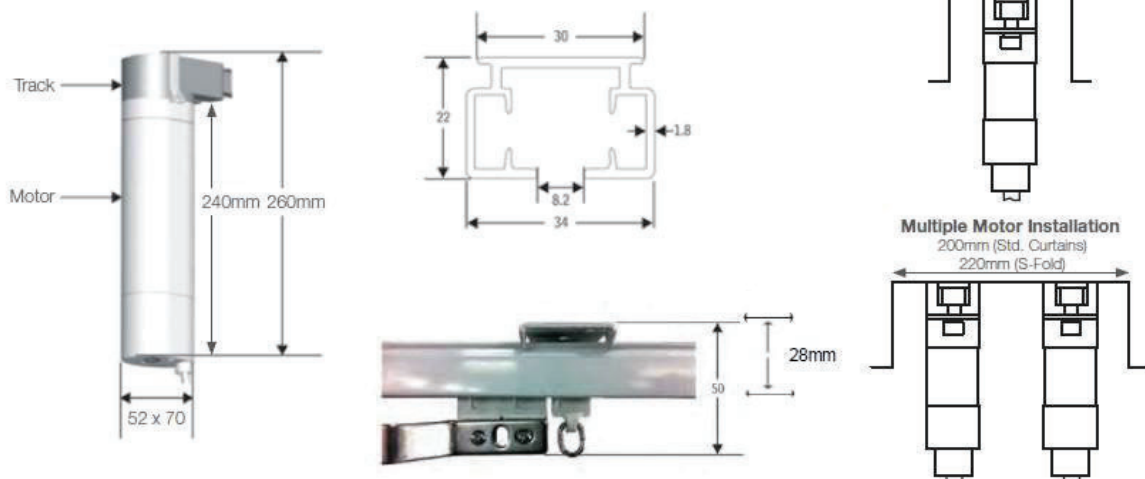
Technical Information

Specifications	8402 4-Core & 8401 3-Core
Rated Curtain Weight	100 Kilograms
Rated Input Power	75 Watts
Open/close Speed	20 (cm/sec)
Input Rated Voltage	230 Volts
Frequency	50 Hertz
Rated Current	0.34 Amps
Running Time	4 Minutes
Protection Class	IP20
Maximum Range of Revolutions	∞
Motor Weight	1.1 Kilograms

Motor Buttons

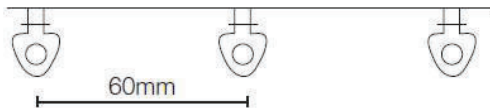


Track & Motor Dimensions



Series 84 Motorised Tracking

SERIES 84 MOTORISED S-WAVE SYSTEM USING TP 802 CLEAR WAVE (POCKET) TAPE

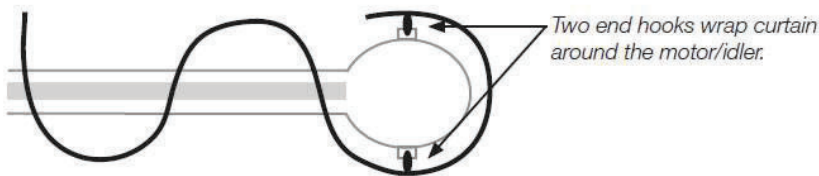


Curtain hook in every 8th pocket = 100%

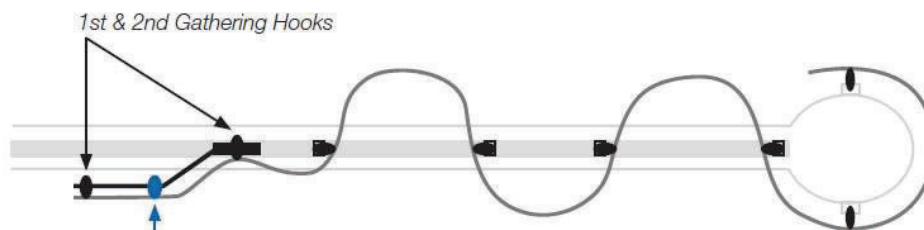


Curtain hook in every 7th pocket = 80%

- 100% Fullness - The tape is supplied so every 8th pocket is to have a gathering hook.
- 80% Fullness - The tape is supplied so every 7th pocket is to have a gathering hook.
- The length of tape supplied is sufficient to wrap the curtain around the motor/idler using two hooks.

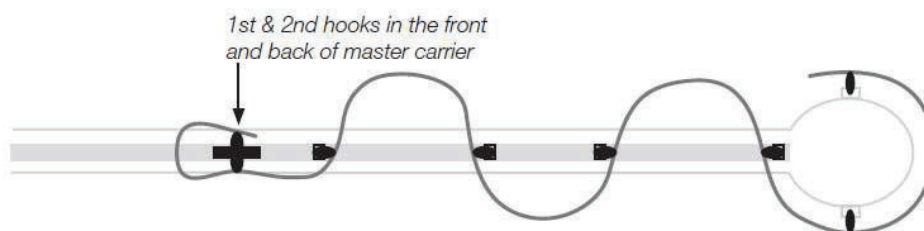


- Two of the hooks on the other end are used for either the overlap arm or master carrier



NOTE: An extra gathering hook in one of the spare pockets is used to secure the curtain when an overlap arm is required.

- For the Master Carrier on a centre open curtain, the 1st and 2nd hooks go either side of the master carrier creating a folded edge.



Series 84 Motorised Tracking

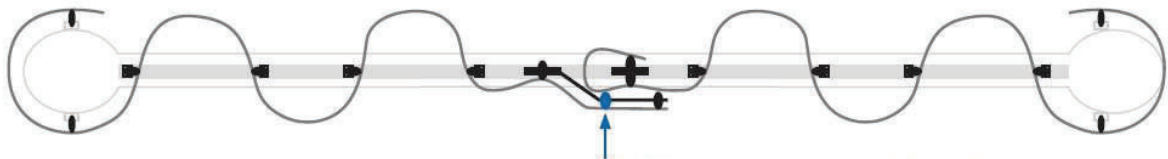
SERIES 84 MOTORISED S-WAVE SYSTEM USING TP 802 CLEAR WAVE (POCKET) TAPE

CENTRE OPENING CURTAIN OPTIONS

For the most consistent wave appearance, two Master Carriers can be used.



Alternatively if an overlap is required for better light block out an overlap arm can be used on one of the master carrier blocks.



NOTE: An extra gathering hook in one of the spare pockets is used to secure the curtain when an overlap arm is required.