

**somfy**® **Building happiness**



Customers demand the best available motorised tracks and controllers for their home automation; we have "raised the bar" by supplying Somfy to fastidious decorators and home owners. By using S-Wave curtains, on the Glydea track results in an elegant and desirable finish which will reshape and reinvigorate the curtain industry.

The trademarked Glydea curtain track system is quiet, discreet, flexible and robust, offering personalised solutions to improve the image, usage and functionality for our customers' environment. Glydea solutions are designed to extend the lifespan of the curtains, offering increased value for users. The system is also compatible with Somfy's range of sensors and controls, to maximise energy efficiency and create fully automated solutions.

The partnership will promote the quality of Somfy products through a business that specialises in curtain tracking systems. Essentially it's a meeting of quality product and quality expertise, meaning a great outcome for customers.




# Series 8s

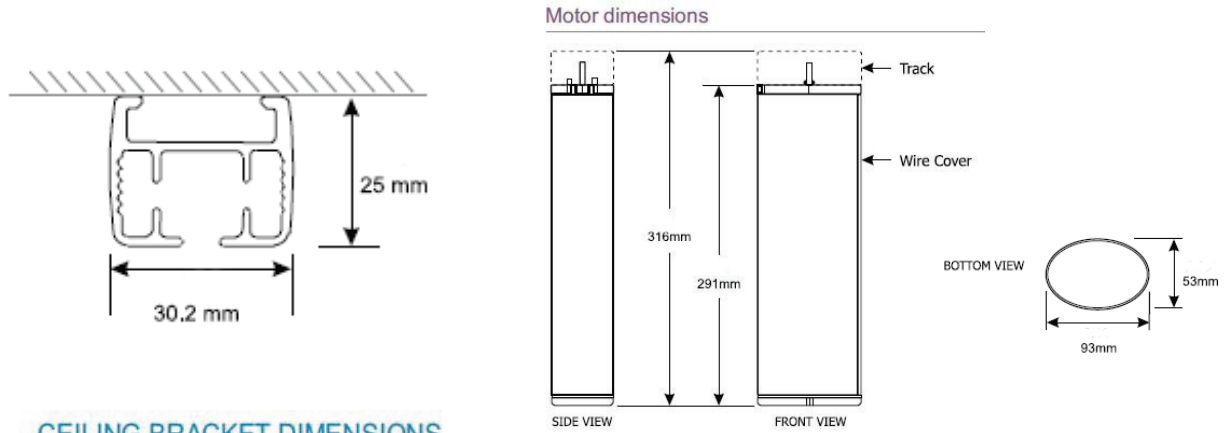
## Somfy Glydea Components

	8S1781415	High Performance Rotating Runner	
	8S1780906	Swivel Ceiling Bracket	
	8S1780907	One Touch Ceiling Bracket	
	8S1782789	Ceiling Mount Bracket Plate	
	8S1782316	Heavy Duty Rail Joiner	
	8S1810630	<b>Situo</b> 1 RTS Pure 1 Channel	
	8S1810631	<b>Situo</b> 4 RTS Pure 5 Channel	
	8S1805215	Telis 6 Chronis RTS Pure 6 Channel with Timer	

# Series 8s

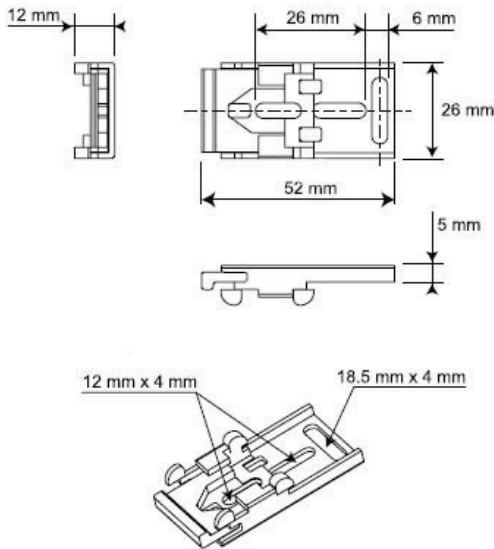
## Somfy Glydea Remotes

	8S1811020	Telis 16 RTS Silver 16 Channel	
	8S1811011	Smooth O/C Pure Wall Mount RTS	
	8S1811591	CONNEXOON	

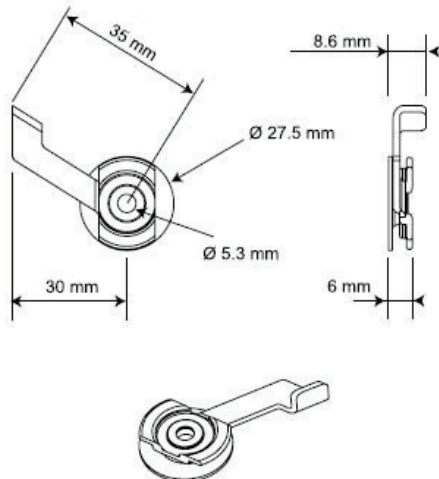


### CEILING BRACKET DIMENSIONS

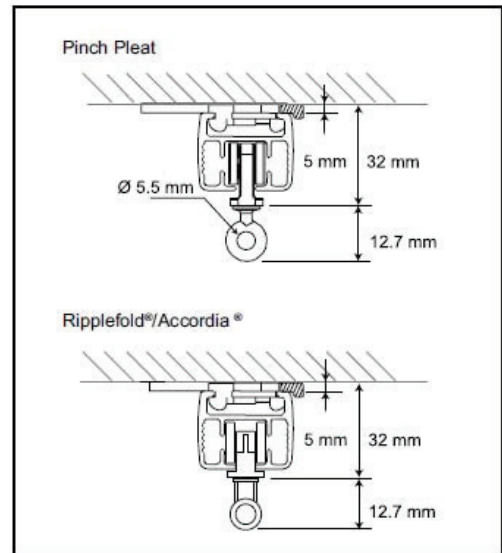
One Touch Ceiling Bracket - #1780907



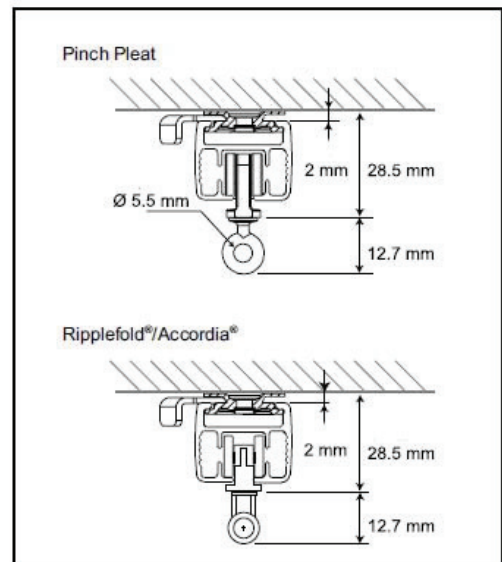
Swivel Ceiling Bracket - #1780906  
(recommended for curved tracks)



Carriers

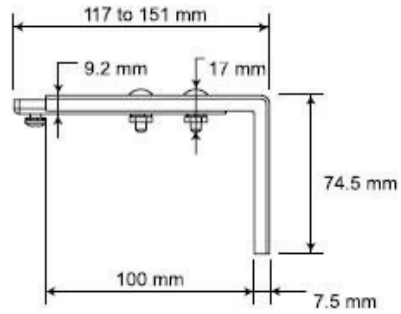
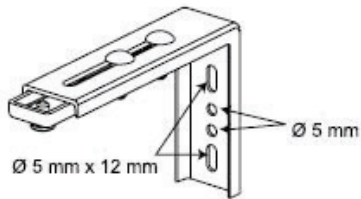


Carriers

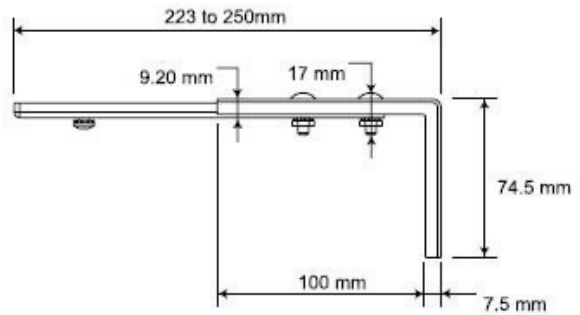
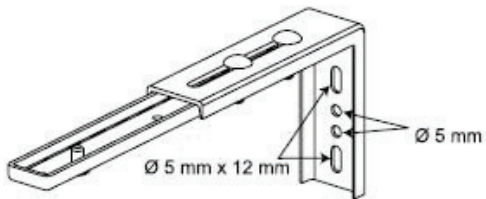


### WALL BRACKET DIMENSIONS

Adjustable Wall Mount Bracket - #1780909



Double Adjustable Wall Mount Bracket - #1780910



### Glydea® Wiring Examples

#### GLYDEA® RTS RADIO CONTROL



Individual control



Group control



#### GLYDEA® DCT CONTROL



The dry Contact Control can be done through devices with 2 normally open contacts (open, close) or 3 normally open contacts (open, stop, close). For devices using 2 contacts, the stop command is achieved by closing the open and close contacts. For 3 devices, the stop can also be achieved with a specific stop button. Individual, group and master DCT controls can be achieved using a DCT Splitter and a Diode box as shown below.

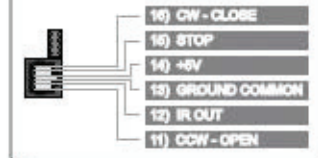
NUMBER OF GLYDEA® DCT AND LENGTH OF CONTROL LIMITATIONS

WIRE CROSS-SECTION	MAXIMUM LENGTH OF CABLE	MAXIMUM NUMBER OF MOTORS
cat5 or Equal	100 m (328')	10
0.75 mm <sup>2</sup>	200 m (656')	20

Individual control



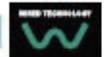
RJ12 SOCKET PINOUT



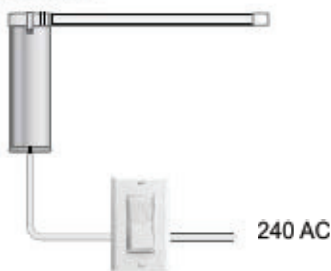
Group control



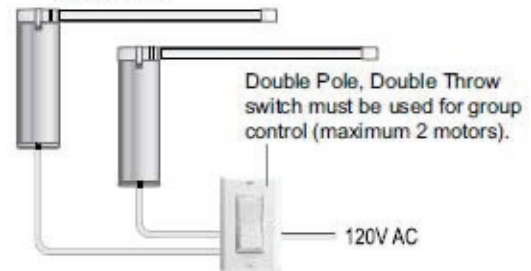
#### GLYDEA® WIRED CONTROL



Individual control



Group control



NOTE: Examples are for illustrative purposes. Additional components may be needed depending on your installation.

## GLYDEA® RS485 CONTROL



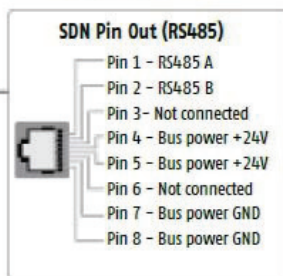
### Individual control



### Group and individual control



See diagram on previous page for RJ12 Socket Pin Out



## GLYDEA® Z-WAVE® CONTROL



### Individual control



### Group and individual control



## GLYDEA® ZIGBEE® CONTROL



### Individual control



### Group and individual control



NOTE: Examples are for illustrative purpose. Additional components may be needed depending on your installation.

SomfymyLink  
PRODUCT SPECIFICATIONS



# Control motorised applications from home or away, with one plug, no wires.

### PRODUCT FUNCTIONALITIES



No wires involved, just a plug

Secure connection



### Control

Controls blinds, curtain, awnings as well as RTS enabled lighting devices.



### Plug & Go

Plugs directly into a wall socket and follows on-screen set-up wizard. Easy!



### Timed Event

Schedule your scenarios to run on a weekly plan.



### Remote Access

Maximise the many benefits such as energy saving and privacy even when you're away from home.





### Somfy myLink

#### PRODUCT SPECIFICATIONS

#### OPERATING PRINCIPLE



#### Somfy myLink



**RTS Communications**  
between Somfy myLink and the home's devices.



**WIFI Communications**  
between the router and the Somfy myLink.



**Remote Control (3G/4G)**  
Commands sent from the smartphone/tablet via the 3G/4G Internet network.



**Control from Home**  
Commands sent from the smartphone/tablet via the home's WiFi.



#### COMPATIBLE END PRODUCTS



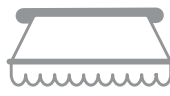
Lights



Roller Blinds



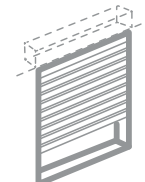
Venetian Blinds



Awnings



External Blinds



Roller Shutters



Curtains

#### TECHNICAL CHARACTERISTICS

Operating Temperature	0°C to 45°C
Protection Rating	IP 20
Radio Frequency	Wifi: 2.4GHz, 802.11b/g/n RTS: 433.42 MHz
Radio Hz Range	200 metres in open field, 20 metres through 2 reinforced concrete walls
Dimension (H x W x D mm)	105 x 57 x 52 (without plug)



Status indicator



Reset button



Type

Product Description	Somfy myLink
Reference	1811473