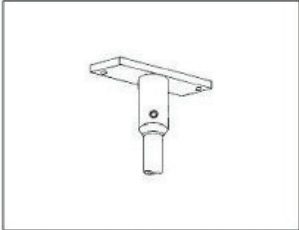
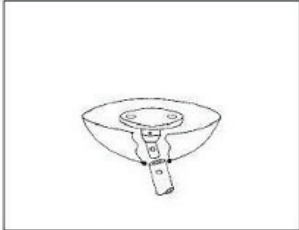
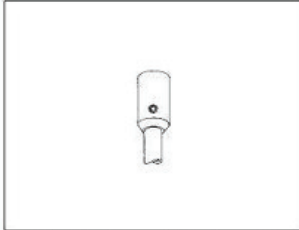
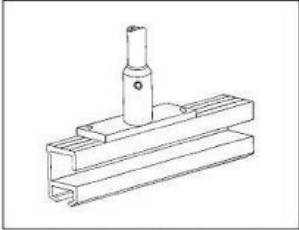
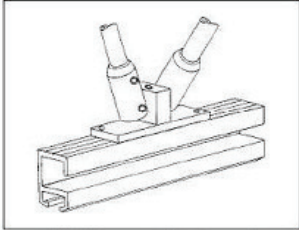
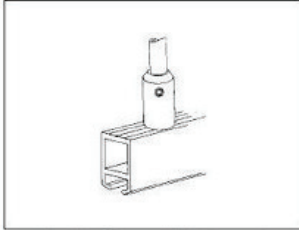
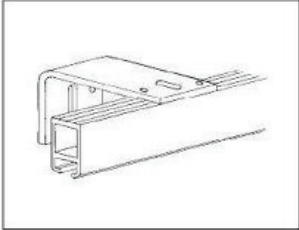
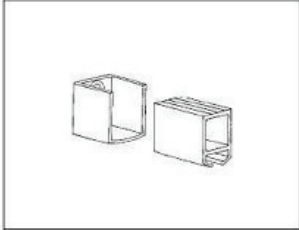
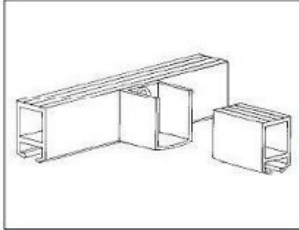
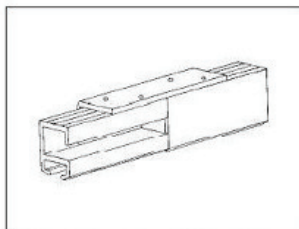
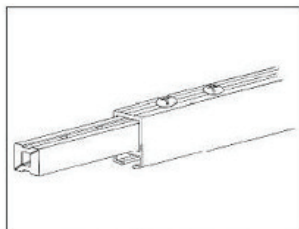
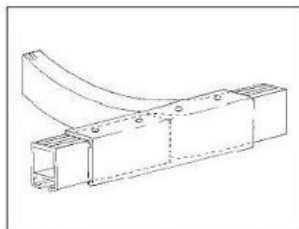


SERIES 99 FIXED RAIL HOSPITAL TRACK

Components & Methods of Attachment Fixed and Moving Rail Tracks

		
Two Screw Attachment to Ceiling	Swivel Hanger Attachment to Ceiling with Cover	Single Screw Attachment to Ceiling
		
Two Screw Attachment	"V" Hanger Attachment	Single Screw Attachment
		
Wall Bracket	Wall Shoe	Attaching Track at 90 Degrees

Components & Methods of Attachment Fixed and Moving Rail Tracks

		
Joining Slotted and Fixed Track	Joining Fixed Track	90 Degree Attachment with Curved Track
